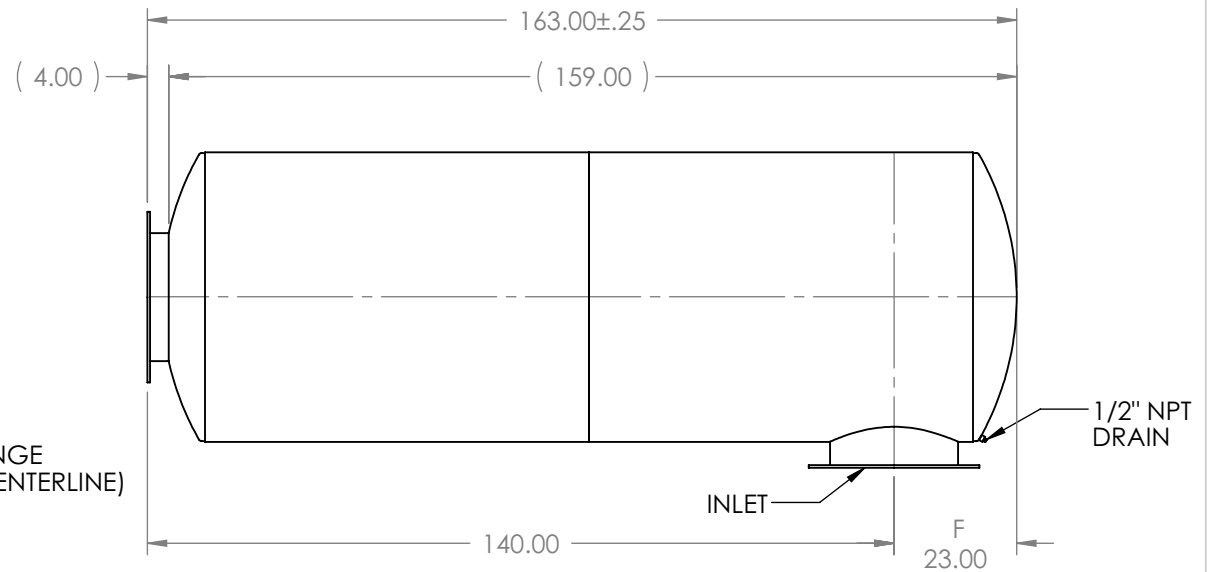



OUTLET END VIEW



SIDE VIEW

- NOTES:
1. F MIN = 23.00"
 2. F MAX = 71.00"
 3. PART #A201-5124-2-F25 WOULD HAVE AN F DIMENSION OF 25.00"

UNLESS OTHERWISE SPECIFIED:	DRAWN	ATS/KKA	02/23/11	PART # A201-5124-2-F23	
DIMENSIONS ARE IN INCHES TOLERANCES: FRACTIONAL ±1/8" ANGULAR: MACH ± BEND ± TWO PLACE DECIMAL ±.13 THREE PLACE DECIMAL ±.125	CHECKED			TITLE: A201-5124 24" CRITICAL GRADE SILENCER STYLE 2	
INTERPRET GEOMETRIC TOLERANCING PER:				SIZE	
MATERIAL SEE BOM				DWG. NO.	
FINISH HIGH HEAT BLACK	PROPRIETARY AND CONFIDENTIAL THE INFORMATION CONTAINED IN THIS DRAWING IS THE SOLE PROPERTY OF GT EXHAUST, INC. ANY REPRODUCTION IN PART OR AS A WHOLE WITHOUT THE WRITTEN PERMISSION OF GT EXHAUST, INC IS PROHIBITED.			A 2012405012-F2300	A
DO NOT SCALE DRAWING	SCALE: 1:36		WEIGHT: 1883		SHEET 1 OF 1