

Salzer VOLTAGE CHANGE-OVER SWITCHES

As a standard our switches are padlock-able in any position and are provided with one set of normally open contacts for each switch position.

HOW TO ORDER (see back for specific part numbers)

1. Manufacturer of the generator end:
Marathon, Stamford Newage, Leroy-Somer, Caterpillar, Generac, etc.
2. What is the maximum kilowatt output of the generator and the number of output breakers being used.
3. What output voltages and/or wiring configurations are required (see below).

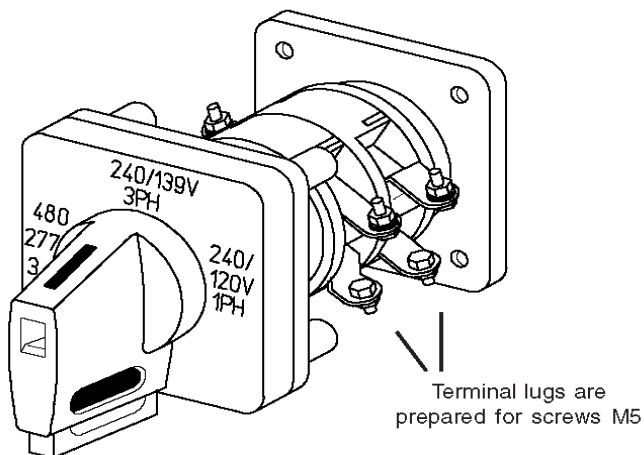
480 / 277 Vac 3-Phase Hi Wye (series)

208 / 120 Vac 3-Phase Lo Wye (parallel)

120 / 240 Vac 3-Phase Hi Delta (series)

120 / 240 Vac 1-Phase Double Delta

120 / 240 Vac 1-Phase Lo Zig Zag (parallel)



WWW.DAVIDSONSALES.COM
839 BILL FRANCE BLVD., DAYTONA BEACH, FL 32117
PHONE (386)274-2079 PHONE (800)383-2078
FAX (386)274-2279