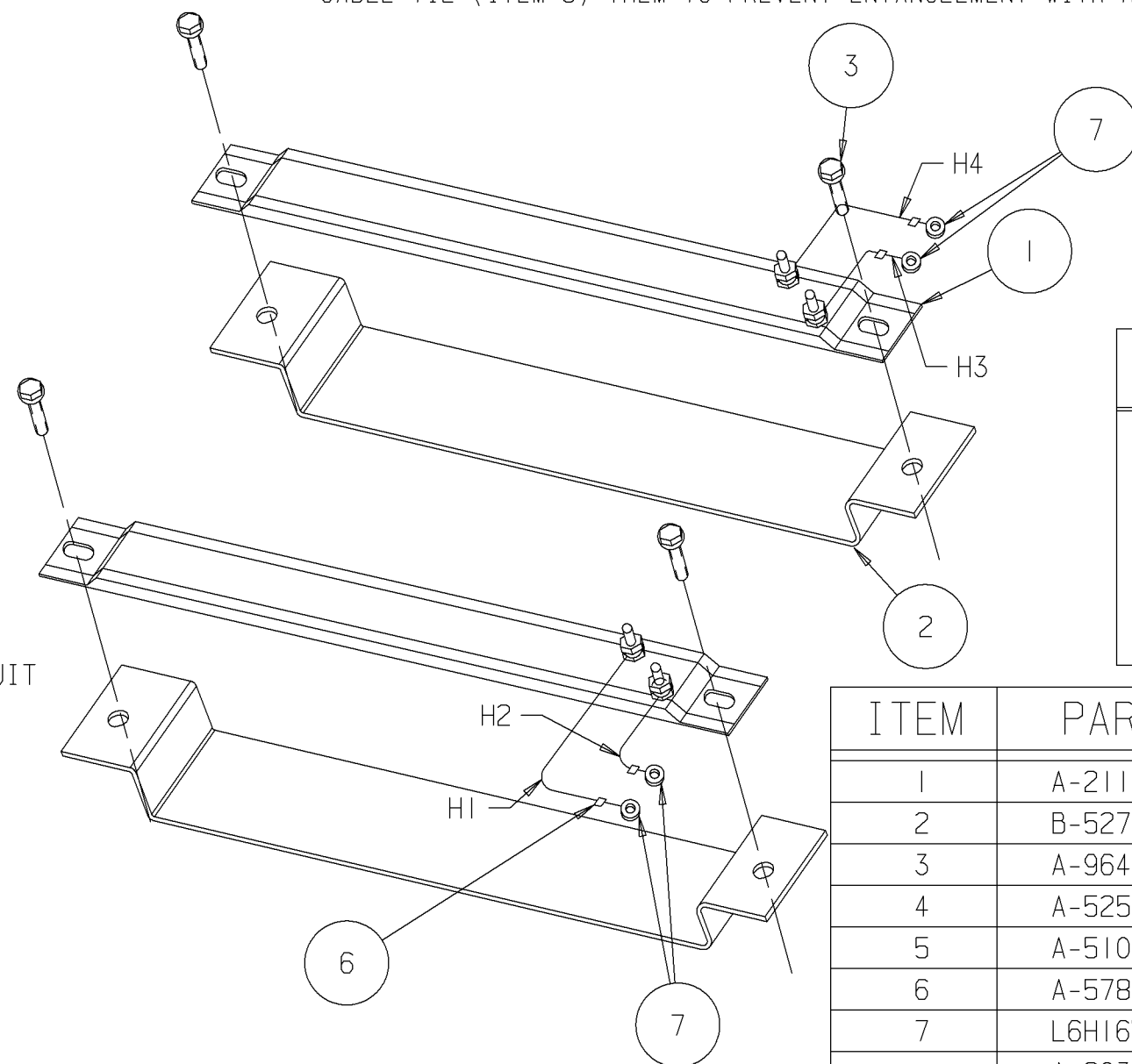
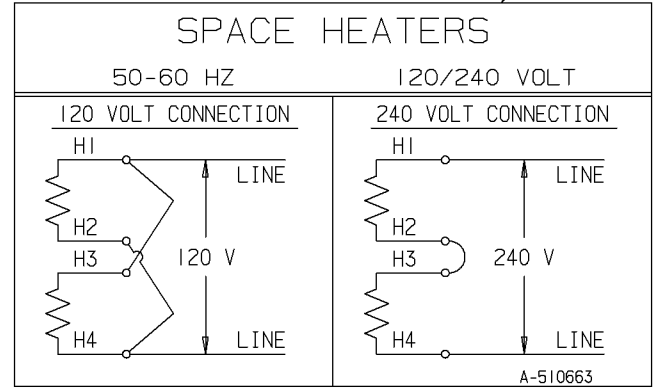


NOTES:

- 1- ALIGN THE SPACE HEATERS AND GUARDS WITH THE PREDRILLED HOLES IN THE FRONT BRACKET AND MOUNT WITH THE SCREWS PROVIDED IN THE SPACE HEATER KIT.
- 2- APPLY THE SPACE HEATER CONNECTION DECAL (ITEM 5) IN THE CONDUIT BOX NEAR THE MAIN CONNECTION DECAL.
- 3- WIRE THE SPACE HEATERS TO EITHER 120 VOLTS OR 240 VOLTS ACCORDING TO THE CONNECTION DIAGRAM. INSULATE THE CONNECTIONS.
- 4- ROUTE THE LEADS IN PAIRS (H1-H2) THRU THE RIGHT SIDE LEAD EXIT AND (H3-H4) THRU THE LEFT SIDE LEAD EXIT IN THE FRAME. LOOP ALL LEADS TOGETHER AND CABLE TIE (ITEM 8) THEM TO PREVENT ENTANGLEMENT WITH ROTATING PARTS.



**CAUTION  
HOT SURFACE**  
THE SPACE HEATER BELOW THIS SURFACE MAY BE ENERGIZED. DISCONNECT ALL POWER BEFORE SERVICING. THIS HEAT SHIELD MUST BE REINSTALLED AFTER SERVICING.  
A-525590



ITEM	PART NO.	DESCRIPTION	QTY
1	A-21138-32	SPACE HEATER	2
2	B-527461	GUARD	2
3	A-9646-75	SCREW	4
4	A-525590	DECAL - CAUTION	2
5	A-510663	DECAL - CONNECTION	1
6	A-57829B	MARKER	8
7	L6H16W-42EE	LEAD ASSY	4
	A-2039-1	TERMINAL-E	2
8	A-9533-2	CABLE TIE	1

TOTAL GENERATOR WATTAGE: 250 WATTS

				<input checked="" type="checkbox"/> MAX. SURFACE ROUGHNESS UNLESS NOTED OTHERWISE MATL SPEC	UNLESS OTHERWISE SPECIFIED DIMENSIONS ARE IN INCHES TOL. ON XX±    XXX±.005    XXXX±.0005    ANGLES±
2	07-28-1999	ADDED LEAD ROUTING DETAIL CN-28226	DRS		DRAWN BY DRS 02-02-1999 CHKD BY PR 04-21-1999
1	04-21-1999	NEW DRAWING DEVELOPMENT	DRS		 WAUSAU, WISCONSIN 54401 APPD BY CJ 04-21-1999
REV	DATE	CHANGE	NAME	PART NAME	DRWG NO
				SPACE HEATER KIT 430 FR. GEN. 120/240 VOLT	B-527463