

# Basic Wall Mount Quick Connect Docking Panel

The Basic Wall Mount Series allows for a simple and safe means of connecting either a portable generator or a load bank to an existing generator, ATS, or utility service with 16 Series Cam only connection points.

## Standard Features:

- NEMA 3RX aluminum construction with quarter-turn latches and powder-coated finish.
- Completely sealed when not in use.
- Tamper-resistant while in use via cable slots and pad-lockable latches.
- Standard phase rotation monitor.
- Color-coded 16 Series Cam input/output connectors.
- Color matching and printed 16 Series Cam feeder cable assemblies.

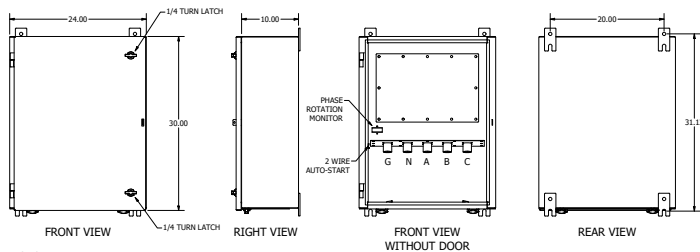
## Optional Features:

- Optional Trapped Key Interlock available.
- Rotary or ATS transfer option up to 400A.
- Main circuit breaker options available in 100A - 1200A models.
- Available with 2 wire auto start terminals.

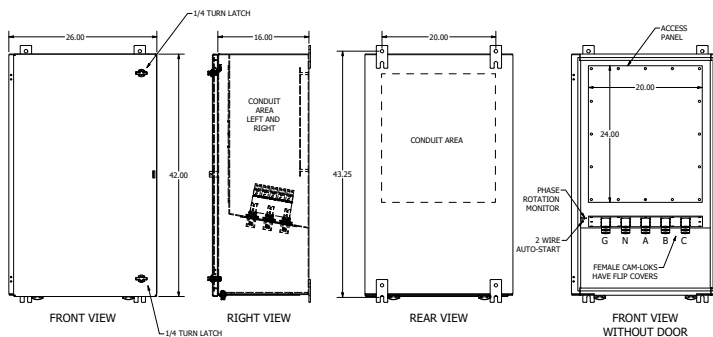


## Applications:

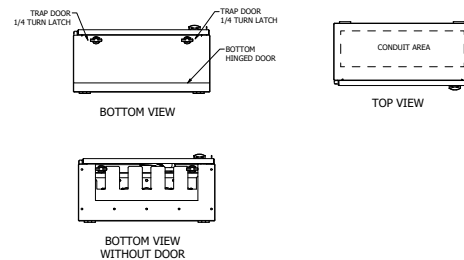
- 100A - 1200A Tap Box for portable generator or load bank connections.
- 100A - 400A RTS/ATS for portable generator connections.



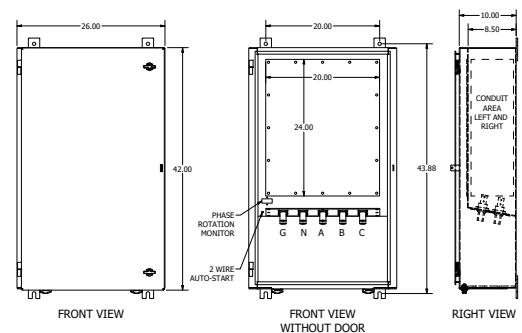
400A



800A



100A



1200A

## Configuration Options:

\*example

Base #	Amp Rating (Cams)	Voltage Code	Cam Gender	Option 1	Option 2	Option 3	Option 4	Option 5	Option 6	Option 7	Option ...
QCPBW	4	L2	M								

### Amp Rating - Choose 1 of the following:

- 4      400A
- 8      800A
- 12     1200A

### Voltage Code - Choose 1 of the following:

- L1     120/240 Single Ph - BRWG
- L2     120/208-240 3 Ph - BBRWG
- L3     240V 3 Ph - No Neutral - BBRG
- L4     208V 3 Ph - No Neutral - BBRG
- L5     120/240 Delta High Leg - BOBWG
- H1     480V 3 Ph - No Neutral - BOYGG
- H2     480/277V 3 Ph w/ Neutral - BOYWG
- H3     600/347V 3 Ph w/ Neutral - BBRWG
- H4     600V 3 Ph - No Neutral - BBRG

### Cam Gender - Choose 1 of the following:

- M      Male Cam Inlet
- F      Female Cam Outlet

### Available Accessories:

- Breakers / ATS up to 400A.
- Module Leg Kit.
- 20A GFCI for battery charger.
- 30A 125V receptacle for block heater.
- Additional customizations by request.

### Options - Choose all applicable:

- TKA    Trapped Key Accessible
- 2WA    Two Wire Auto Start Terminals
- 20G    20A 120V GFCI Duplex
- 30T    30A 125V Twist Lock Receptacle (L5-30)
- LDR    Load Dump Receptacle
- MCB\*   Main Output Circuit Breaker
- SER\*   Service Entrance Rated Breaker
- ISO\*   Isolation Circuit Breaker w/ Trapped Key Interlock | Line Item for Matching Lock, unless TKA
- LDB\*   Load Dump Breaker w/ Shunt Trip
- LK      Leg Kit
- SDS    Signal Destination Switch (Sends start signal to selected generator, permanent or portable)
- HTR    Strip Heater (100W 120V 1 Ph w/ adjustable thermostat)
- FLG    Flange/Flush Mount
- FTL    Feed Through Lugs
- GRR    Ground Reversed
- GNR    Ground & Neutral Reversed

\* append with amp rating desired

### Optional - Choose 1 of the following:

- RTS2P\* Rotary Transfer Switch - 2 pole
- RTS3P\* Rotary Transfer Switch - 3 pole
- RTS4P\* Rotary Transfer Switch - 4 pole
- ATS2P\* Automatic Transfer Switch - 2 pole
- ATS3P\* Automatic Transfer Switch - 3 pole
- ATS4P\* Automatic Transfer Switch - 4 pole

\* append with amp rating desired