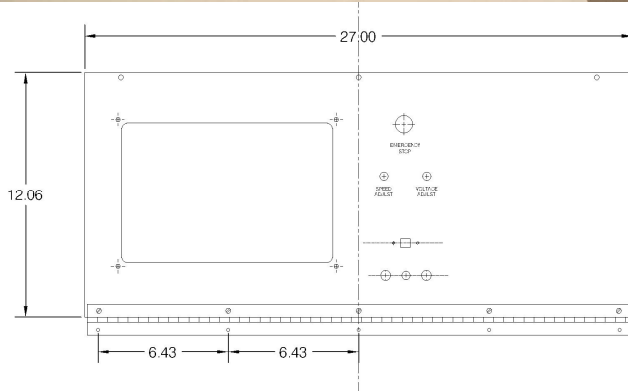


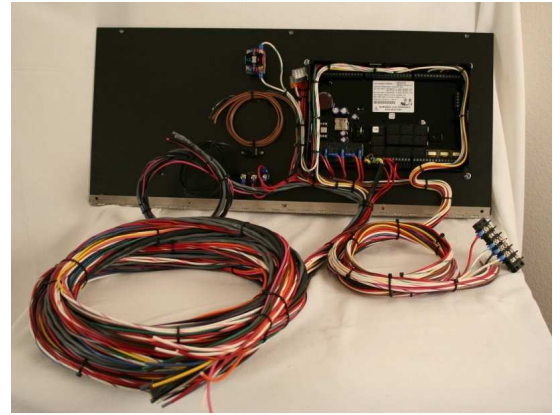
Auto Start Generator Control Panel



ENGINE & GENERATOR CONTROLS



P20-S/D-1/2-EMCP1



P20 -EMPC 1
S D 1 2

PART NUMBER KEY

STANDARD FEATURES

■ Plate Dimensions are 12" H x 27" W. This plate fits EMCP and EMCP2 Digital Panel enclosure. The purpose of this plate is to make it easier to replace generator's controls by reusing existing control panel enclosure. Not all EMCP panel enclosures are the same size. Drawing provided above to verify plate will work in your enclosure. At this time no securing hardware is provided.

■ Assembled panel consists of a hinged plate to fit older CAT EMCP (first generation digital panels). 20 ft 24 wire engine harness and 5 ft 16 wire alternator harness hardwired to back of controller. Contains all necessary wiring for energize to stop, electronic governor, starter, oil sender, coolant sender, fuel sender, and extra I/O for auxiliary alarms.

■ Built around the Basler DGC-2020 controller. (Available in two panels versions. P20-S with 4 Programmable outputs and no RS-485 COM. P20-D with 11 programmable outputs and RS485COM.) 16 Programmable Inputs. Multifunction Engine and Generator protection and metering including ECU specific parameters when used with SAE J1939 Engines.

■ VDO 150PSI oil sender and 250F coolant temperature senders included. (Warning and safety shutdown points are configurable) External 85A solenoid included for engine starter. No current transformers are provided with this kit (sold separate).

1. Standard / Deluxe
2. DC Volt
1= 12
2=24V

A sales representative will collect genset rating information and panel will ship pre-programmed accordingly.

- DS5 Voltage Adjust Rheostat
- DS32 Panel DC ON/OFF Switch
- DS33 Remote Speed Potentiometer
- DS40 Common Fault Audible Alarm
- DS67 Mushroom Emergency Stop

OPTIONAL MODULES

- CEM-2020 (Contact Expansion Module)
- LSM-2020 (Load Share Module)
- AEM-2020 (Analog Expansion Module)
- RDP-110 (Remote Display Module)

Options

National Marketing and Distribution by Davidson Sales Co.

839 Bill France Blvd., Daytona Beach, FL 32117

Phone: (386)274-2079 Fax: (386)274-2279 www.davidsonsales.com

Revised 5/2017